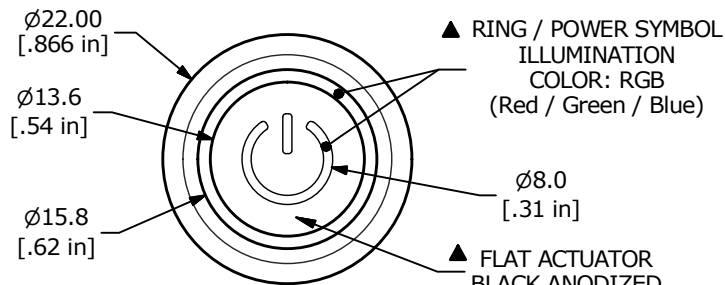
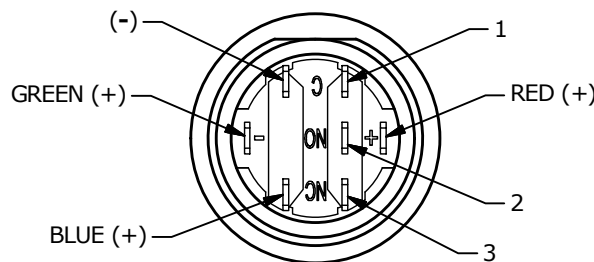
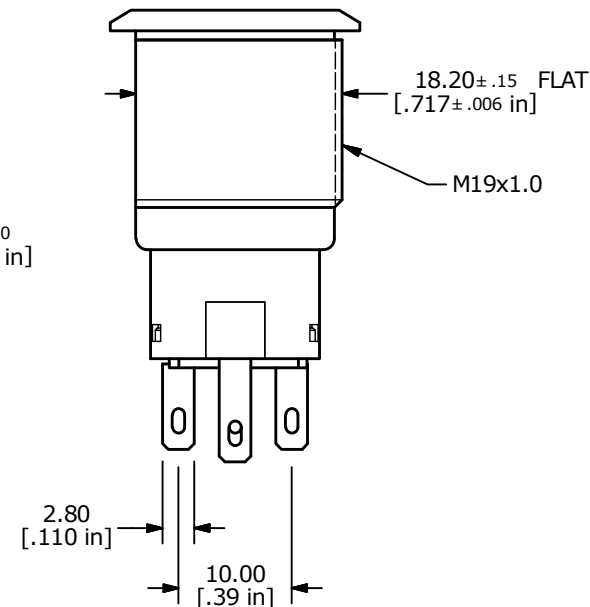
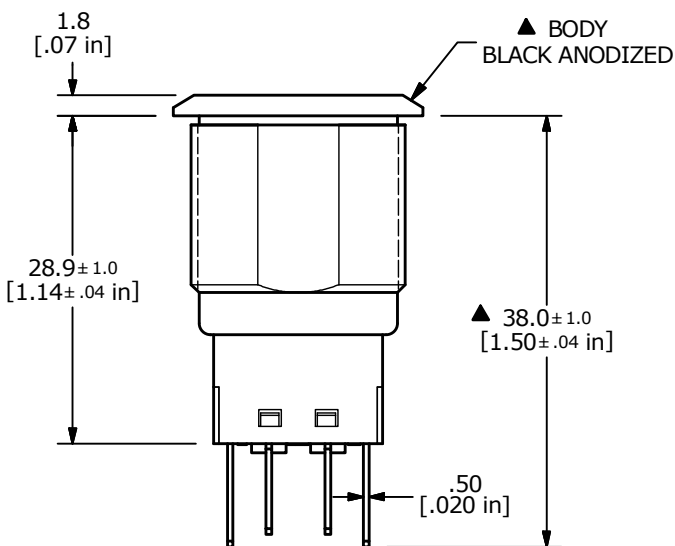
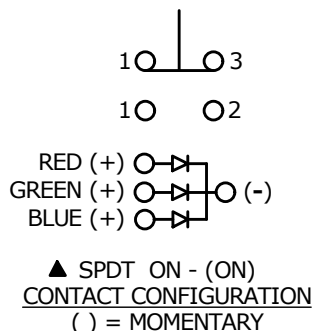


**Recommended PANEL CUTOUT**  
 MAX. PANEL THICKNESS:  
 11.0 [.43in]



SWITCH FUNCTION	
POS. 1	POS. 2
ON	(ON)
1-3	(1-2)

( ) = MOMENTARY



**NOTE:**

- ALL DIMENSIONS IN mm [INCH]
- GENERAL TOLERANCE: X.X = ±0.4  
X.XX = ±0.25
- TERMINAL NUMBERS FOR REF ONLY
- CONTACT MATERIAL: SILVER
- RATING: 2A 24VDC
- ELECTRIC LIFE: 50,000 MAKE-AND-BREAK CYCLES AT FULL LOAD.
- INSULATION RESISTANCE: 1,000 MΩ MIN.
- DIELECTRIC STRENGTH: 2,000 VAC MIN. FOR 1 MINUTE
- CONTACT RESISTANCE: 50mΩ MAX. @ 1A 12VDC
- OPERATING TEMP.: -25°C to 55°C
- TRAVEL: 2.8mm
- ▲ DENOTES CRITICAL PARAMETER
- INGRESS PROTECTION: IP65
- HARDWARE SUPPLIED: O-RING AND HEXNUT
- ILLUMINATION VOLTAGE:  
 RED: 1.8V  
 GREEN: 2.8V  
 BLUE: 2.8V



A	23117	New Release	11/30/17	MW
REV	PCR NO	DESCRIPTION	DATE	BY

TITLE	PV4F2B011-3R1-M26			
-------	-------------------	--	--	--

SCALE	DATE	DR	DWG	REV
3:2	11/30/2017	MW	52-PV4F2B0113R1M26	A

THE INFORMATION CONTAINED IN THIS DOCUMENT IS PROPRIETARY TO E-SWITCH AND IS NOT TO BE COPIED OR TRANSFERRED